

Operating Instructions for the D7024 Control/Communicator

Local Service Representative

National Security Systems Inc

Name _____

Address _____

Phone _____ (800)457-1999

Understanding the Built-in Keypad

The keypad built-in to the control/communicator is an alpha-numeric LCD keypad. It has a two line by 16 character display to provide information on various control panel functions. In most instances, the top line of the display provides general system status information, while the second line describes specific devices that may be relevant to the current system status. When keys are being pressed, the display usually shows the current action on the top line, while displaying rotating menu choices on the second line. A built-in sounder is used to announce keystroke entries and as an interior warning device.

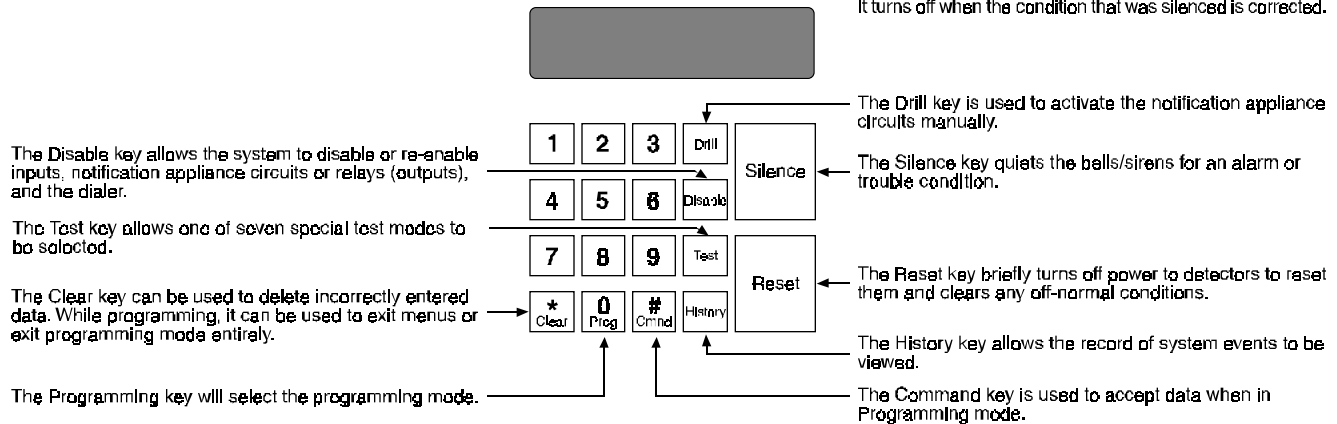
The green Power LED is on when AC power is present, and flashes when the unit is operating from battery power.

The red Alarm LED illuminates whenever the system has registered an alarm and has not been reset.

■ Power ■ Trouble
■ Alarm ■ Silenced

The yellow Trouble LED is lit whenever the system has detected a problem with its wiring or internal circuitry. It remains on even when the trouble sounder has been silenced, turning off only when the underlying trouble condition has been corrected. The trouble LED flashes while programming mode is active.

The yellow Silenced LED illuminates when an alarm or trouble condition has been manually silenced by the user. It turns off when the condition that was silenced is corrected.



Modes of System Operation

Normal Operation: When the system is operating normally, it displays "SYSTEM NORMAL" on the top line of the display, the Power LED is on steady, and no other LEDs are lit. If the system is programmed to require a PIN, the second line of the LCD screen will display "ENTER PIN:", otherwise the control panel will bypass this display and will show a rotating menu of possible user actions.

Alarm Operation: When an alarm occurs, the top line of the display will show "FIRE ALARM". This display will override any other system display. The second line of the display will show the number of the point that is in alarm, alternating with the programmed description for the affected point. If more than one alarm (or other off-normal condition) is active, they will be shown on the second line of the display, one after another. The built-in sounder turns on with a steady tone, and outputs programmed to activate with the current alarm condition(s) will activate.

Trouble Operation: When a trouble condition occurs (e.g. wiring for a point is cut, AC power fails, etc.), the sounder will activate briefly, every 10 seconds. The Trouble LED will light and the top line of the display will show "SYSTEM TROUBLE". The second line of the display will identify the specific problem.